

# Genie® S®-60 XC™ & S-65 XC, S-60 TraX™ & S-65 TraX

## Specifications

Models	S-60 XC & S-60 TraX		S-65 XC & S-65 TraX	
Measurements	US	Metric	US	Metric
Working height max. <sup>(1)</sup>	66 ft	20.29 m	71 ft	21.81 m
Platform height max.	60 ft	18.29 m	65 ft	19.81 m
Horizontal reach max.	48 ft 7 in	14.80 m	54 ft 2 in	16.51 m
Below ground reach	5 ft 5 in	1.65 m	8 ft 8 in	2.65 m
<b>A</b> Platform length (8 ft/6 ft)	3 ft/2 ft 6 in	0.91 m/0.76 m	3 ft/2 ft 6 in	0.91 m/0.76 m
<b>B</b> Platform width (8 ft/6 ft)	8 ft/6 ft	2.44 m/1.83 m	8 ft/6 ft	2.44 m/1.83 m
<b>C</b> Height - stowed (tires)	9 ft 2 in	2.80 m	9 ft 3 in	2.81 m
Height - stowed (TraX)	9 ft 2 in	2.80 m	9 ft 3 in	2.81 m
<b>D</b> Length - stowed (tires)	28 ft 7 in	8.71 m	32 ft	9.76 m
Length - stowed (TraX)	28 ft 7 in	8.71 m	32 ft	9.76 m
<b>E</b> Width (tires)	8 ft 2 in	2.49 m	8 ft 2 in	2.49 m
Width (TraX)	8 ft 6 in	2.58 m	8 ft 6 in	2.58 m
<b>F</b> Wheelbase	8 ft 2 in	2.49 m	8 ft 2 in	2.49 m
<b>G</b> Ground clearance - center (tires)	16.3 in	0.41 m	16.3 in	0.41 m
Ground clearance - center (TraX)	16.3 in	0.41 m	16.3 in	0.41 m
<b>H</b> Height under counterweight	3 ft 10 in	1.17 m	3 ft 10 in	1.17 m

## Productivity

Lift capacity max. - unrestricted	660 lb	300 kg	660 lb	300 kg
Lift capacity max. - restricted	1,000 lb	454 kg	1,000 lb	454 kg
Number of Platform Occupants (restricted/unrestricted)	3/2	3/2	3/2	3/2
Platform rotation	160°	160°	160°	160°
Jib length	—	—	5 ft	1.52 m
Vertical jib rotation (up/down)	—	—	133°	133°
Turntable rotation	360°	360°	360°	360°
Turntable tailswing	4 ft 7.5 in	1.41 m	4 ft 7.5 in	1.41 m
Drive speed - stowed (tires)	3.0 mph	4.8 km/h	3.0 mph	4.8 km/h
Drive speed - stowed (TraX)	2.3 mph	3.7 km/h	2.3 mph	3.7 km/h
Drive speed - raised (tires)	1 ft/s	0.3 m/s	1 ft/s	0.3 m/s
Drive speed - raised (TraX)	0.7 ft/s	0.2 m/s	0.7 ft/s	0.2 m/s
Gradeability - stowed <sup>(2)</sup>	45%	45%	45%	45%
Tilt sensor activation (front to back/side to side)	7°/5°	7°/5°	7°/5°	7°/5°
Turning radius - inside/outside (tires)	7 ft 9 in/18 ft 2 in	2.40 m/5.50 m	7 ft 9 in/18 ft 2 in	2.40 m/5.50 m
Turning radius - inside/outside (TraX)	11 ft 5 in/ 21 ft 4 in	3.48 m/ 6.50 m	11 ft 5 in/ 21 ft 4 in	3.48 m/ 6.50 m
Tires	355/55D625	355/55D625	355/55D625	355/55D625
Track system - 4 points	TraX	TraX	TraX	TraX

## Power

Power	Diesel	Diesel	Diesel	Diesel
Hydraulic tank capacity	40 gal	151 L	40 gal	151 L
Fuel tank capacity	35 gal	132 L	35 gal	132 L

## Weight<sup>(3)</sup> and Floor Loading<sup>(4)</sup>

Weight (tires)	22,930 lb	10,401 kg	25,160 lb	11,412 kg
Weight (TraX)	26,840 lb	12,174 kg	29,000 lb	13,154 kg
Tire contact pressure	90 psi	620 kPa	90 psi	620 kPa
Track contact pressure	23 psi	158 kPa	25 psi	170 kPa
Occupied floor pressure (tires)	281 psf	13.44 kPa	304 psf	14.55 kPa
Occupied floor pressure (TraX)	266 psf	12.72 kPa	285 psf	13.66 kPa

## Sound and Vibration Levels

Sound Pressure level (ground workstation)	83 dBA	83 dBA	83 dBA	83 dBA
Sound Pressure level (platform workstation)	79 dBA	79 dBA	79 dBA	79 dBA
Vibrations	< 2.5 m/s <sup>2</sup>	< 2.5 m/s <sup>2</sup>	< 2.5 m/s <sup>2</sup>	< 2.5 m/s <sup>2</sup>

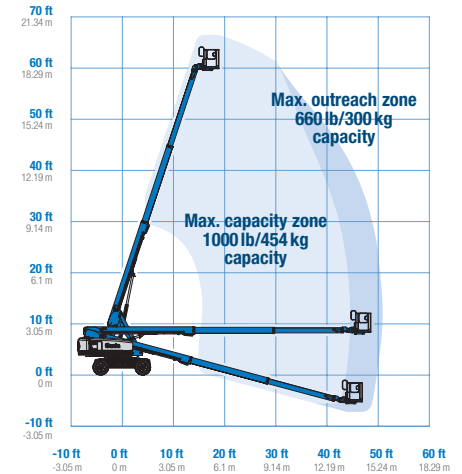
(1) The metric equivalent of working height adds 2 m to platform height. The imperial equivalent adds 6 ft to platform height.

(2) Gradeability applies to driving on slopes and may vary depending on options and machine configurations. See operator's manual for details regarding slope ratings.

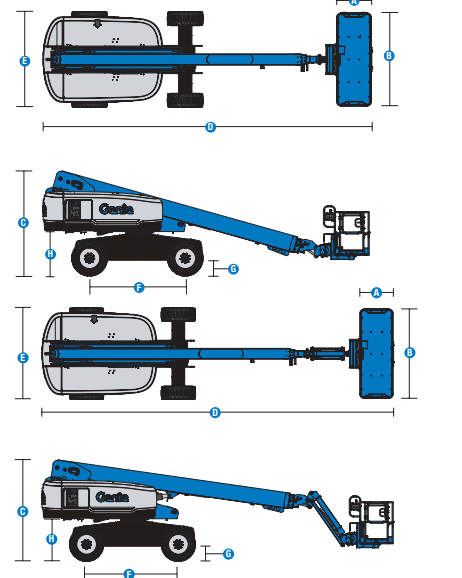
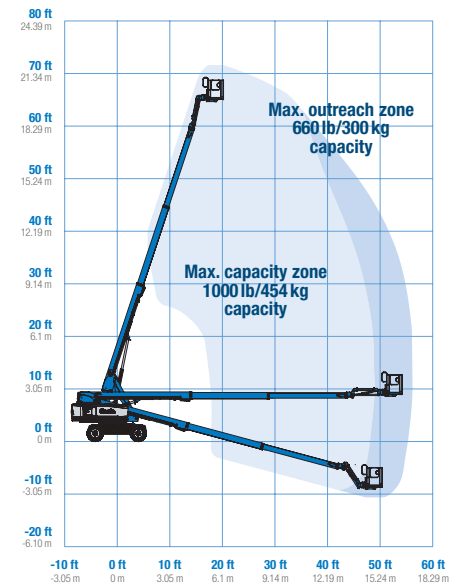
(3) Weight refers to standard configuration and may vary depending on options and/or country standards.

(4) Floor loading information is approximate and may vary depending on options and machine configurations. It should be used only with adequate safety factors.

## Range of motion S-60 XC/S-60 TraX



## Range of motion S-65 XC/S-65 TraX



# Genie® S® -60 XC™ & S-65 XC, S-60 TraX™ & S-65 TraX

**SKU: Standard Model**

- **S60XC001AF0001:** S-60 XC, 4WD
- **S60XC001AF0010:** S-60 XC, Lift Power 3kW, 4WD
- **S60XC001AF0003:** S-60 XC, Lift Power 12kW Welder Ready, 4WD

\* Build to Order


**SKU: Standard Model**

- **S65XC001AF0002:** S-65 XC, 4WD
- **S65XC001AF0003:** S-65 XC, Lift Power 3kW, 4WD
- **S65XC001AF0001:** S-65 XC, Lift Power 12kW Welder Ready, 4WD


Option availability	S	S+	BtO	
<b>Power</b>	49 hp, 37 kW, Deutz D2.9L, Diesel, T4f	✓	✓	✓
	49 hp, 37 kW, Perkins 404F-E22T, Turbo Diesel, T4f	✓	✓	✓
	60 hp, 45 kW, Ford 2.5L, Gas/LPG			○
	74 hp, 55 kW, Deutz TD2.9L, Turbo Diesel, T4f (TRAX and 80/85)			○
	74 hp, Deutz TD2.9L, Turbo Diesel, T4f			○
	Cold weather package			○
	Diesel air intake pre-cleaner			○
	Ford engine gauge package			○
	LPS Fire protection rating			○
	Positive air shutdown system			○
	Second battery			○
	Anti-restart engine protection	✓	✓	✓
	Auto engine fault shutdown	✓	✓	✓
	In cylinder glow plug (diesel only)	✓	✓	✓
	<b>Platform</b>	6ft/1.83m dual-entry platform with side swing gate		
8ft/2.44m tri-entry platform with side swing gate		✓	✓	✓
6ft/1.83m Aircraft protection platform with sliding mid-rail				○
6ft/1.83m Aircraft protection platform with side swing gate				○
Dual axis joystick steering		✓	✓	✓
Thumb rocker steering				○
Air line to platform				○
Control box covers			○	○
Lift Guard Full Mesh panels				○
Lift Guard Half Mesh panels				○
Light Package: drive and work lights			○	○
Platform auxiliary top rail				○
Lift Power 3kW AC Generator, 110V/60Hz				○
Lift Power 3kW AC Generator, 220V/50Hz				○
Lift Power 12kW Welder Ready				○
660lb/300kg & 1000lb/454kg dual load capacity with automatic envelope control		✓	✓	✓
Drive enable system		✓	✓	✓
Horn		✓	✓	✓
Lift Guard Contact Alarm	✓	✓	✓	
Lift Tools Work Tray	✓	✓	✓	
Platform load sense system	✓	✓	✓	
Proportional controls	✓	✓	✓	
Self-leveling platform	✓	✓	✓	
<b>Chassis</b>	Lift Connect Telematics	✓	✓	✓
	Lift Connect with Access Manager upgrade		○	○
	Biodegradable hydraulic oil			○
	Cold weather hydraulic oil			○
	Fire resistant hydraulic oil			○
	High floatation, air-filled tires		○	○
	Rough terrain, foam-filled tires	✓	✓	✓
	Rough terrain, foam-filled, non-marking tires		○	○
	TraX quadra track drive system			○
	Deluxe hostile environment kit			○
	Hostile environment kit			○
	LPG tank 33.5 lb			○
	Tow package			○
	Active oscillating axle	✓	✓	✓
	Alarm package: includes flashing beacon and travel alarm	✓	✓	✓
	Descent, tilt and motion alarm	✓	✓	✓
	Dual battery system	✓	✓	✓
	Hour meter	✓	✓	✓
Hydraulic oil cooler	✓	✓	✓	
Positive traction drive	✓	✓	✓	
Tech Pro Link connector	✓	✓	✓	
Wheel motors 2 speed	✓	✓	✓	

Positive air shutdown system for Deutz engines only


- S Standard
- S+ Standard +
- BtO Build to Order
- ✓ Standard Features
- Options



**Xtra Capacity**



**45%**  
Rugged Terrainability



**Lift Power**



**Genie Genuine Accessories<sup>(1)</sup>**

- Lift Tools Productivity Tools
- Lift Connect Telematics
- Tech Pro Link Handheld Device

(1) More accessories available from Genie Genuine Parts.

Product specifications are subject to change without notice or obligation. Photographs and/or drawings herein are for illustrative purposes only. Refer to the appropriate Operator's Manual for instructions on proper equipment use. Failure to follow instructions in the Operator's Manual may result in serious injury or death. The only warranty applicable to our equipment is the standard written warranty applicable to the particular product and sale and we make no other warranty, express or implied. Products and services listed may be trademarks, service marks or trade names of Terex Corporation and/or their subsidiaries in the USA and many other countries. Terex, Genie, Quality By Design, Xtra Capacity, Lift Power, Lift Guard, Lift Tools, Lift Connect and Tech Pro Link are registered trademarks of Terex Corporation or its subsidiaries.