

September 17th, 2015

Subject: The use of an Arrow Truss Boom 1000100-12-F on the following Genie telehandler models; GTH-636, GTH-844, and GTH-1056 (with limitations of use to the serial range referenced on the load charts in this letter).

Subject to the requirements of this letter, Genie Industries Inc. authorizes the owner of all Genie Telehandlers listed above to use the Arrow 1000100-12-F (with a maximum weight of 500 lbs. and with a maximum reach of 147 inches) based on the requirements hereinafter. This letter supersedes all previous revisions.



Warning:

Failure to comply with all restrictions, instructions and warnings contained in this letter, in all Operators Manual and Safety Manuals could result in death or serious injury.

A suspended load has a dynamic effect on machine stability, so extreme caution should always be exercised when operating with suspended loads.

Owner/Employer/Operator Requirements

- 1) The owner, employer and the operator shall comply with all applicable jobsite, local, state, provincial, or federal rules, regulations, and standards (e.g. ANSI/ITSDF B56.6) related to the use of the equipment with the Arrow Truss Boom and a suspended load including but not limited to 29 CFR 1926 Subpart CC.
- 2) A copy of this letter and the Arrow Truss Boom operator's manual must accompany the operator and safety manuals at all times in the weather resistant storage compartment located on the equipment.
 - a) Read, understand and follow the proper installation and operating instructions of the Arrow Truss Boom.
- 3) Operators must be trained and qualified how to safely operate the equipment and be familiar with the specific model of Genie equipment as follows:
 - a) Be familiar, and comply, with all equipment operating and safety manuals.
 - b) Understand all control functions, decals and warnings.
 - c) Be aware of and understand all safety devices specific to the equipment being used.
 - d) Be instructed regarding the specific hazards associated with using the Genie telehandler with a suspended load, and utilize all means, including those provided by the employer, to avoid them.
 - e) Using the Genie telehandler with a suspended load, the operator must only use a Genie fork carriage.
- 4) The employer and operator shall identify the specific hazards associated with operating the equipment with a suspended load and utilize all means to prevent surrounding personnel and traffic from being exposed to these hazards. Do not allow personnel under a suspended load.
- 5) The operator must use the Genie load chart for the Star Industries Arrow Truss Boom supplied with this letter and corresponding to the specific Genie model. It is the responsibility of the employer and/or operator to place the appropriate load chart in the Genie Telehandler in a clearly visible location for the operator in their normal operating position.

Note: Lamination of the load chart may help minimize potential damage.



Specific Training

- 1) The employer shall provide any additional training to the operator, and other personnel, that's deemed necessary to safely operate the Genie telehandler with a suspended load, which may include but not be limited to the following:
 - a) Setup
 - i) If the telehandler has a hydraulic powered fork carriage:
 - (1) Verify that the fork carriage is reset to 0 degrees rotation on its pivot axis.
 - (2) Turn off the telehandler and disable the hydraulic power to the attachment by disconnecting the hydraulic couplers to the attachment.
 - ii) Position both forks equally from the centerline of the fork carriage such that the load center of the attachment is on center with the fork carriage and boom.
 - iii) Secure the attachment to the forks and fork carriage per the manufacturer's instructions.
 - b) Rigging
 - i) A qualified rigger shall determine the most appropriate rigging equipment, and methods, for properly secure the load such that unintentional unhooking or displacement of the load or rigging is avoided.
 - ii) All rigging shall be approved, and in proper working condition, by the employer prior to lifting.
 - iii) Suspend the load in a position to help minimize potential swinging.
 - iv) If possible, position the load in a manner that will help minimize the exposed surface area to wind.
 - c) Signal person
 - i) A signal person must be provided in each of the following situations
 - (1) The point of operation, meaning the load travel or the area near or at load placement, is not in full view of the operator.
 - (2) When the equipment is traveling, the view in the direction of travel is obstructed.
 - (3) Due to site specific safety concerns, either the operator or the person handling the load determines that it is necessary.
 - ii) The signals used (hand, voice, audible, or new), and means of transmitting the signals to the operator (such as direct line of sight, video, radio, etc.), must be appropriate for the site conditions.
 - iii) When using hand signals, the Standard Method must be used (see Appendix A of 1926 Subpart CC). Exception: Where use of the Standard Method for hand signals is infeasible, or where an operation or use of an attachment is not covered in the Standard Method, non-standard hand signals may be used in accordance with paragraph (c)(2) of 1926.1419.
 - d) Lifting
 - i) Only lift a suspended load from the designated hook position shown on the load charts.
 - ii) Do not leave the controls while the load is suspended except when a competent person determines it is safe to do so.
 - (1) Competent person means one who is capable of identifying existing and predictable hazards in the surroundings or working conditions which are unsanitary, hazardous, or dangerous to employees, and who has authorization to take prompt corrective measures to eliminate them.
 - iii) Only lift the load when the telehandler is on firm level ground.
 - iv) Do not operate the machine while people are under a suspended load. If people are approaching an elevated load, immediately inform them to evacuate the area.
 - v) All movements of the load must be accomplished at lowest possible speed.



- vi) Do not lift loads in windy conditions that will result in the movement of the load out of the booms centerline.
- vii) Level the telehandler before lifting the load.
- viii) Deploy stabilizers, if equipped, prior to picking or placing the suspended load.
- ix) Do not tilt the forks forward from the tilted back position with a suspended load.
- x) Use guide ropes or tag lines by qualified personnel to help control the load and prevent it from swinging.
- xi) Do not attempt to use the telehandler frame-leveling to compensate for a swinging load.
- xii) Never drag the load.
- xiii) Do not try to move fixed or obstructed loads.
- xiv) Only lift a load vertically; do not pull a load horizontally as it could cause excessive swinging of the load.
- xv) Do not attempt to lift a trailer off of the ground.
- e) Visibility
 - i) When visibility is or could be obstructed, the operator shall use alternative/additional means to safely transport the load.
 - (1) Use of additional personnel to direct the operator in his movements as well as surrounding ground traffic.
- f) Travel
 - i) A competent person shall supervise the operation, and determine if it is necessary to reduce rated capacity, and make a determination regarding load position, boom location, ground support, travel route, overhead obstructions, and speed of movement necessary to ensure safety.
 - ii) Speed shall be limited by any conditions that could cause any unexpected movement of the load, or jeopardize the safe transport of the load.
 - iii) The telehandler boom shall be retracted and lowered as much as possible.
 - iv) The load shall be transported as low to the ground as practical.
 - v) Only travel on solid surfaces.
 - vi) Start, travel, turn and stop slowly to prevent the load from becoming unstable or swing.
 - vii) Do not exceed walking speed with a load.
 - viii) Do not use any controls to re-positioning the load when traveling. Come to a gradual and complete stop before attempting to re-position the load.
 - ix) Be aware of the increased turning radii and avoid any potential collisions.

Use Requirements/Considerations

- 1) This approval only applies for the primary intended purpose and use of the Genie telehandler, as defined by ANSI/ITSDF B56.6 and CSA B335.
- 2) Rigging shall comply with applicable ASME rigging standards (ex: B31.9, B30.26)
- 3) The combined load center shall be located approximately on the center line of the telehandler boom.
- 4) The additional weight of the rigging, the load, the hitch adapter, and the position of the combined load center, shall be taken into consideration and be deducted from the load chart capacity allowance prior to lifting.
- 5) The maximum load capacities referenced on the Genie load charts or the attachment shall not be exceeded.
- 6) Always properly secure the attachment prior to use such that any movement of the attachment is minimized during use and that the rear of the attachment is against the fork.
- 7) Arrow Material Handling Products is responsible for the attachment:
 - a) Design



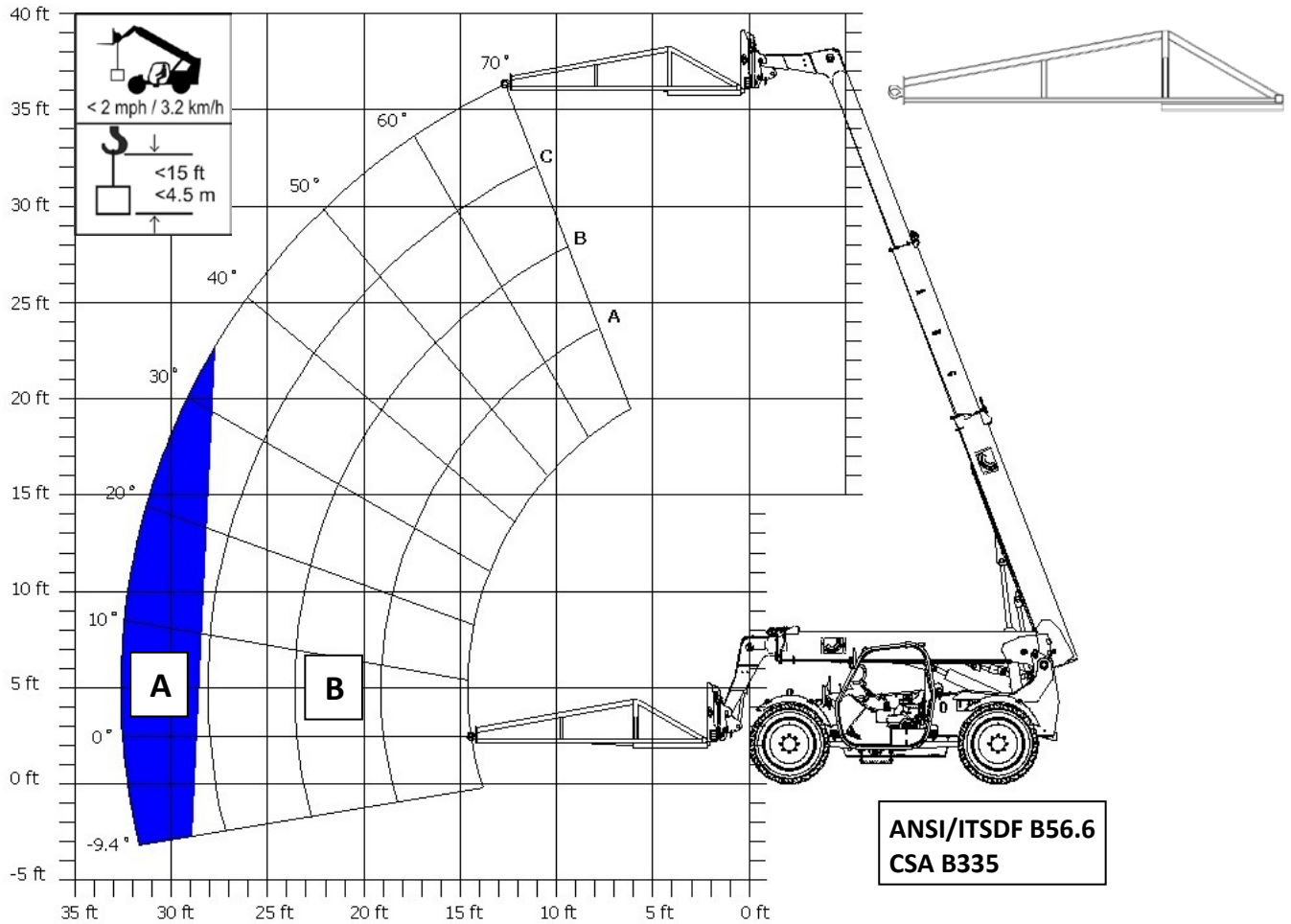
- b) Fabrication
- c) Workmanship
- d) Structural integrity
- e) Fit and function
- f) Overall quality
- g) Any operating and safety instructions specific to the attachment
- h) Clearly marking the attachment in accordance with ANSI/ITSDF B56.6

In consideration for Genie's authorization herein, the equipment owner hereby agrees to indemnify and hold harmless Genie Industries Inc. and its parent and affiliated companies against any and all liability, claims, suits, losses, costs and legal fees caused by, arising out of, or resulting from the approved modification/application of the Genie equipment; any negligent act in the operation of the equipment by the owner, user and/or operator; the failure to comply with the criteria set forth in this letter related to the modification/application; the design, manufacture and installation of any modification; the safety rules and operating instructions in the Operator's Manual; the design and placement of any safety decals; the operation of the equipment by the owner, user and/or operator; and any negligent act or omission related to the equipment, its use or its modification.

BY PROCEEDING WITH THE APPLICATION AUTHORIZED HEREIN, YOU AGREE TO THE CONTENTS OF THIS LETTER AND ITS CONDITIONS. IF YOU DO NOT AGREE, DO NOT PROCEED WITH THE PROPOSED MODIFICATION/APPLICATION.



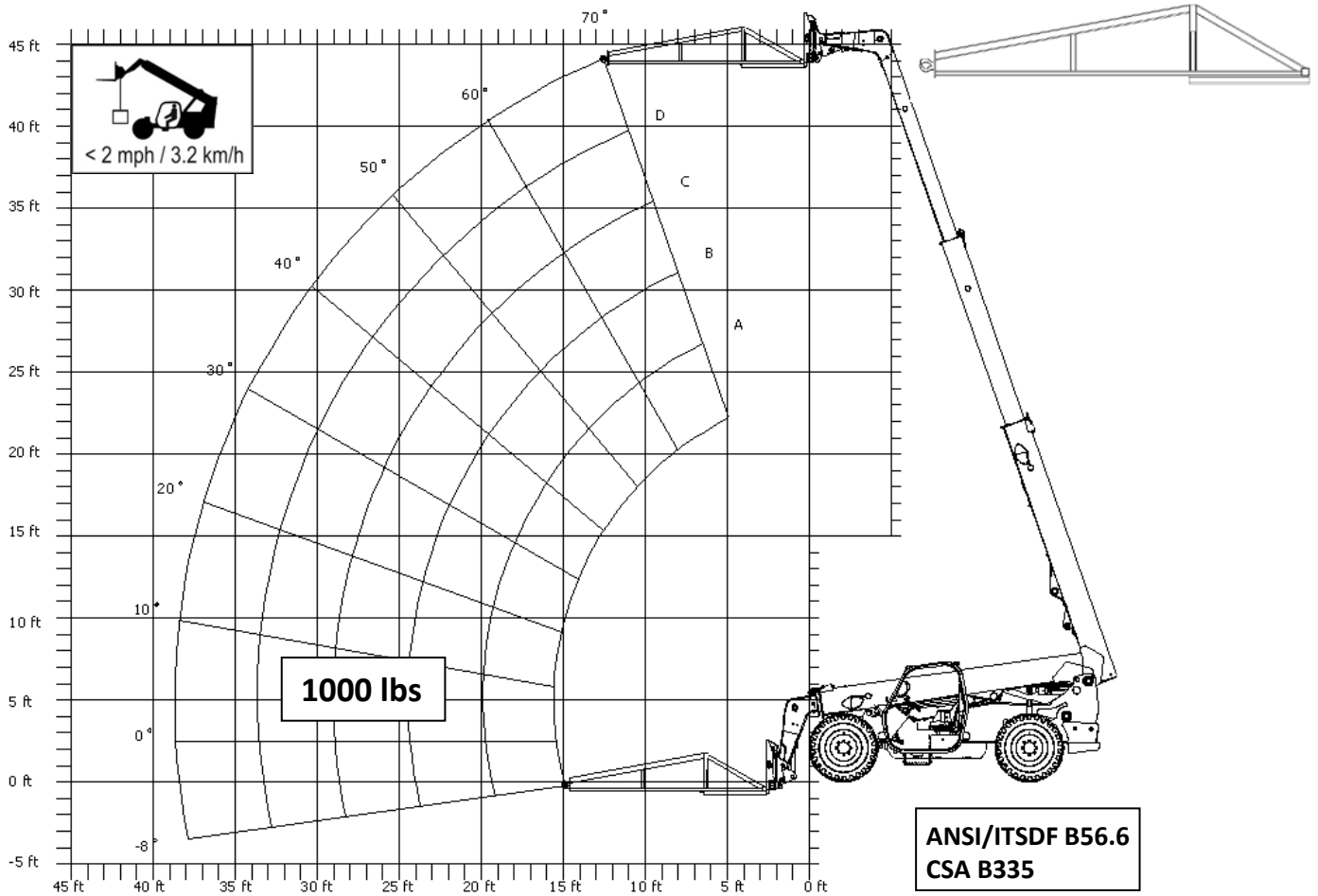
GTH636 Load Chart
Serial No. GTH0614H-10001 and following
GTH0615E-10001 and following
for
Arrow Truss Boom 1000100-12-F



LOAD RANGE	A	600 lbs
	B	1100 lbs

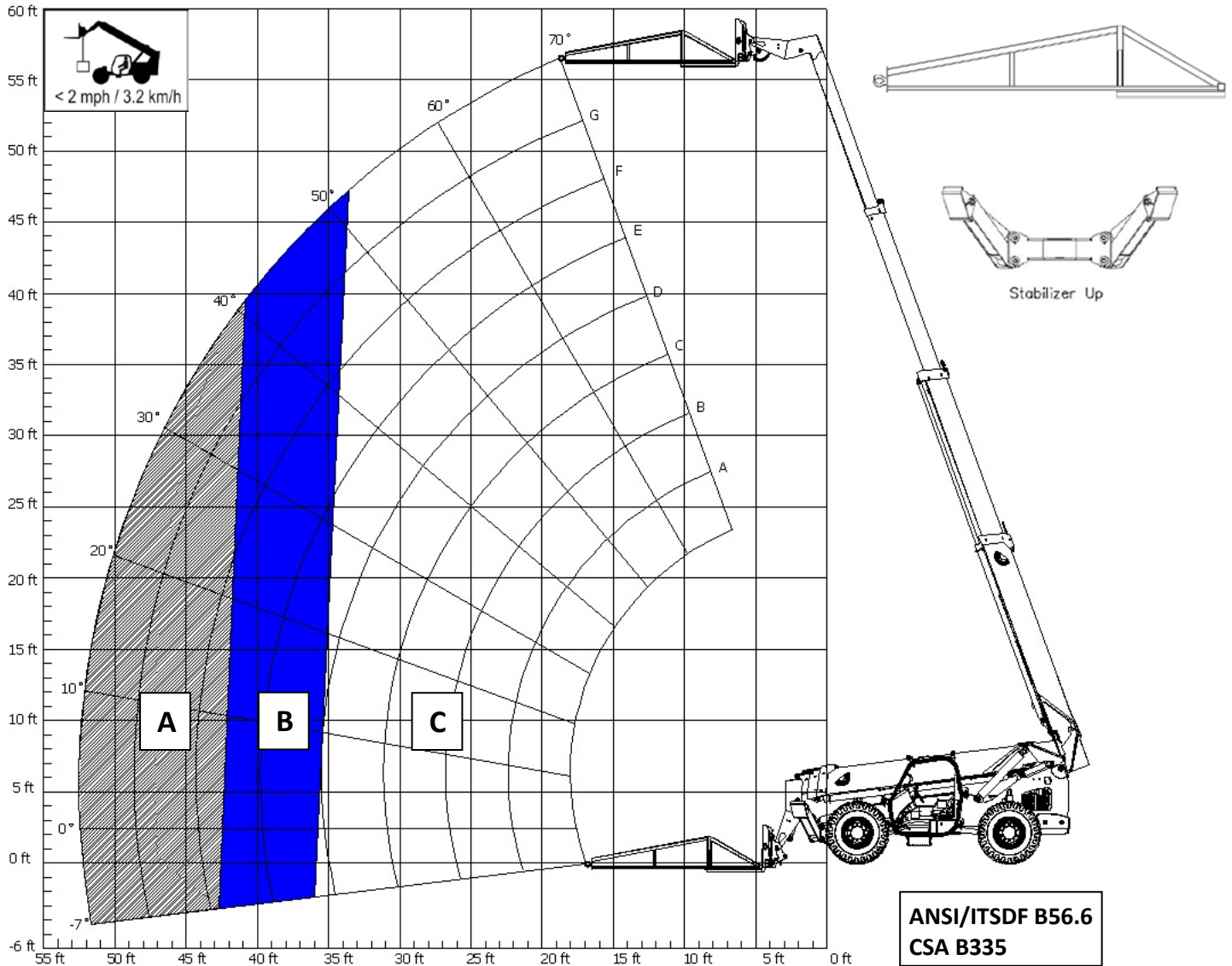


GTH844 Load Chart
Serial No. GTH0813-16606 and following
for
Arrow Truss Boom 1000100-12-F





**GTH1056 Stabilizer Up Load Chart with Serial No.
GTH1014E-10001 and following
GTH1012-16292 and following
for
Arrow Truss Boom 1000100-12-F**



LOAD RANGE	A	DO NOT OPERATE
	B	500 lbs
	C	1450 lbs



**GTH1056 Stabilizer Down Load Chart with Serial No.
GTH1014E-10001 and following
GTH1012-16292 and following
for
Arrow Truss Boom 1000100-12-F**

